

KGKJET CCS2000

Introducing A New Inkjet Printer with Multiple Functionalities for An Affordable Initial Investment
5.7 Inch Touch Panel Makes Operation Even Much Easier

No.7253E

<http://www.kishugiken.co.jp/ew/>



The Highly Reliable Inkjet Printer
Offered by KGK A Unique Developer and
Manufacturer for Fluids As Well As
Inkjet Printers



KGK The Second To None Developer/Manufacturer Offers This



● Easy Operation Assured

- Equipped with 5.7 Inch Full Color Touch Panel
- Very Unique Among Affordably Available Models
- Providing Functionalities and Operational Ease



● Incorrect Handling Error Avoided

- By the cartridge system for The Fluids
- This Assures To Keep Your Hands Clean And Ease of Handling



● Assures Printing Stability

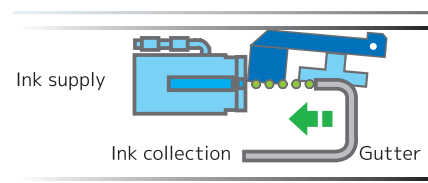
- Fluorine Made Nozzle Brings This Printing Stability
- Also Good for Higher Speed Printing
- Lock at KGK Unique "Automatic Nozzle Capping System"

Print Samples



Automatic Nozzle Capping System

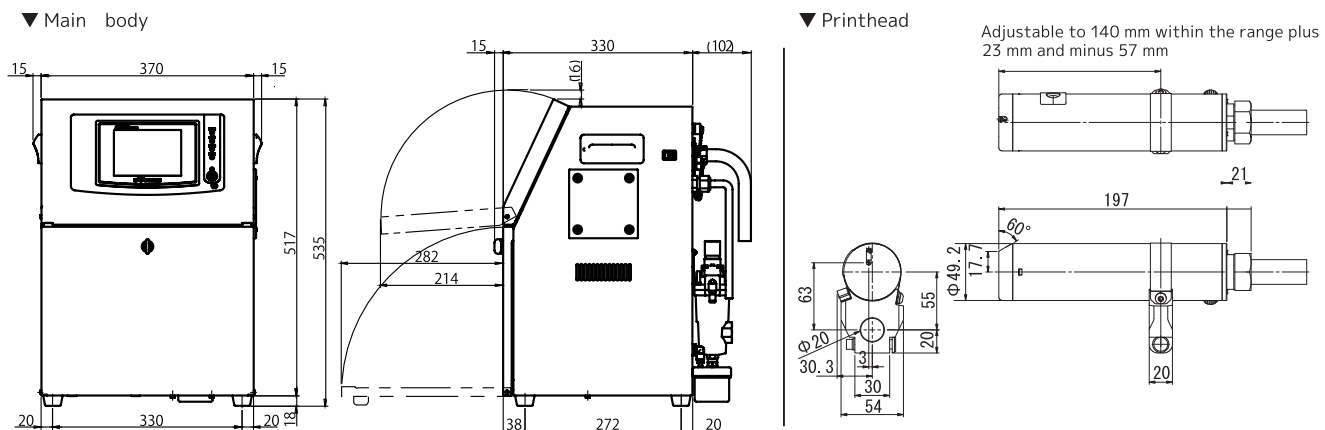
The opening of the ink collection gutter automatically moves to tightly close the nozzle in the printhead when you finish the day's operation.



● Specifications

Model	CCS2000
Printing method	Continuous system (charged control)
Compatible ink	Dye ink
CE marking	Compliant
RoHS directive	Compliant
Screen size	5.7" color LCD/ touch panel
Nozzle options	50 μm
Print height	1 ~ 10 mm
Maximum printing speed: numbers of characters/second (5x5 dot font with spacing of 1)	2660 characters/second (For details, refer to "Ink compatibility table")
Character types	alphabetical characters(upper case/lower case), numerical characters, symbols, Japanese hiragana, katakana and kanji of JIS class 1 & 2, Simplified Chinese characters(G B2312), User defined characters
Number of printing lines and number of dots (vertical x horizontal)	[1 to 5 lines] 5 x 5, 5 x N dots [1 to 3 lines] 7 x 5, 7 x 8, 7 x N [1 to 2 lines] 12 x 10, 10 x 8, 9 x 7, 9 x 9 [1 line] 24 x 18, 24 x 24, 16 x 12, 16 x 16 (Fonts named "_ x N" are proportional fonts)
Number of message characters to register	Maximum 4,096 characters
Number of messages to register	Maximum 999 messages
Date/time (use-by-date)Printing function	Christian calendar year, traditional Japanese calendar year, year/month/date, day of week, time (12/24 hour format, Julian date, serial week number in a year, early/middle/late part of month(variable period setting), AM/PM, Shift code, character assignment function (to assign year/month/date/hour/minute/second/day of week to other character of 4 to 15 digits)
Numbering function	upto 10 digits, setting given initialized value, to run up or down, carry of digit (to set a count by using number of substrates between 1 to 9,999), zero suppressions function (to replace zero of the upper digit with space or to eliminate it), a function to assign the character for numbering (to assign to the character other than numerical character), base setting (binary number to base 36number), separable (inserting given character between numerical characters)
Distance printing function	up to 10 digits, separable (inserting given character between numerical characters)
Barcode printing function	ITF, Code39, NW7, JAN, Code128
2D code printing function	QR code, data matrix
Japanese kana/kanji conversion function	Compliant
Connection with external devices	signal lamp, RS-232C, encoder,UPS, USB flash drive
Data entry	touch panel, RS-232C communications
Communications	RS-232C 1CH Maximum 115,200bps
Printhead cable length	3.5m
Dry air source (for air purging in the printhead)	Compatible tube outside diameter Φ6mm or 8mm Air pressure : 0.8Mps or less Air flow : 10 liters/min or less
Area required for installation (width x depth x height)	Main body : 400W x 280D x 532H (excluding protruding objects) Printhead : Φ49.2mm x 197mm
Operating environment (temperature/humidity)	0 ~ 40 °C (for details, refer to "Ink compatibility table"), 10 ~ 85% (non-condensing)
Power source	AC90 - 264VAC(47 - 63Hz), 80W
Weight	25Kg
Grounding	Class D

● Dimensional drawing



Note: Some additional space required for installation for the main body

※ Specifications subject to change without notice.