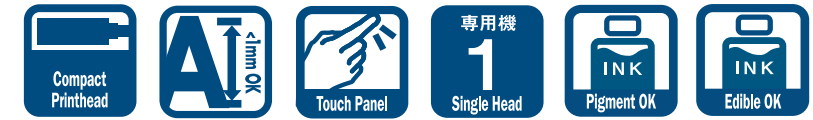


● Technical Specifications

Items	Specifications		
Ink types	MEK base: Black•Red•Blue•UV(curable), Pigment Base: Black•White•Yellow, Red•Green(for egg-coder)		
IP rating	IP65		
CE marking	Yes		
RoHS	Compliant		
Screen size	10.4" Colour LCD Touch Screen		
Control panel length	3.5m detachable		
Nozzle size	40µm / 50µm / 60µm		
Character height	[40µm nozzle] 0.8~5mm	[50µm nozzle] 1~10mm	[60µm nozzle] 2~12 mm
Max. print speed (cha./sec.) (5x5 dot, interval 1)	[40µm nozzle] 2,666	[50µm nozzle] 2,041	[60µm nozzle] 1,780
Lines & Dots Matrix	[1~6 line] 5x5 [1~2 line] 16x12, 16x16	[1~4 line] 7x5, 7x8 [1 line] 24x18, 24x24, 32x24, 32x32	[1~3 line] 9x7, 9x9, 10x8x 12x10
Memory	Maximum 999		
Character length	Maximum 4,096 characters		
Fonts	Alphanumeric, symbols, Hiragana, Katakana, Kanji, Simplified Chinese & user input		
Barcodes	ITF, NW7, JAN, Code39, Code128		
2D codes	Data Matrix, QR code		
Connections	I/O, signal lights, RS-232C, LAN, encoder, UPS, USB memory		
Interfaces	Touch Panel, RS-232C Comm., Ethernet		
Communication	RS-232C 1CH Maximum 115,200 bps, Ethernet		
Conduit length	3.5m		
Dimensions	• Main unit: 400W x 347D x 548H • Printhead: 40W x 199D x 40H		
Environmental Standard	0~42°C, humidity 10~95% (Non-condensing)		
Electrical requirements	AC100~240V 80W		
Weight	25 kg		
Grounding	Type D ground		

KGK JET CCS3000S

Industrial continuous ink jet with global standards & specifications
Low make up consumption, up to 35% saving (compared to ccs model)



<http://www.kishugiken.co.jp/>

Functional and Reliable

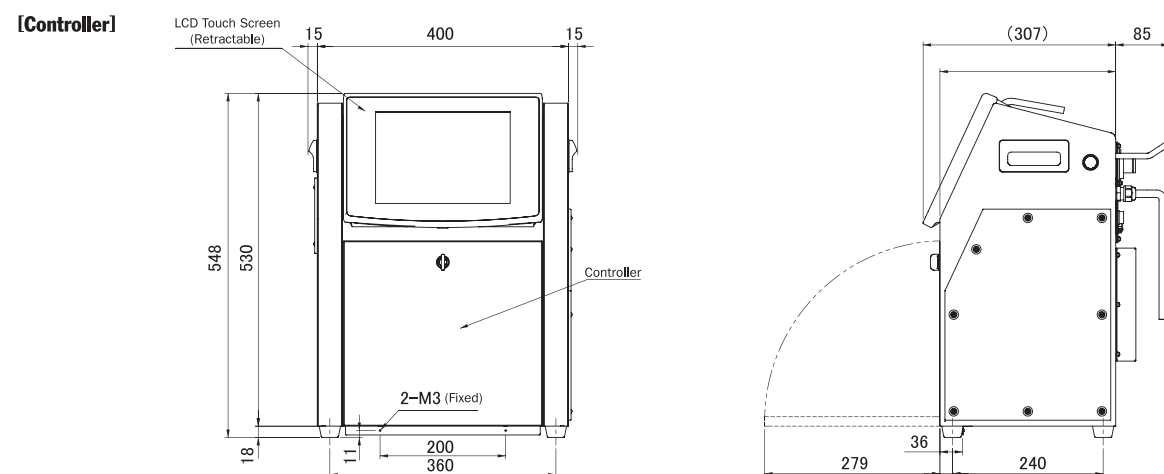
Compatible across a wide range of coding inks

- Dye ink (General use)
- Pigment ink
- Edible ink
- Egg coder ink



● Dimensions

all dimensions in mm



Due to our policy of continuous product improvement, specifications are subject to change without notice. E & OE.

KGK Marking
Technologies Group

KGK 紀州技研
<http://www.kishugiken.co.jp>

LM-KGK INTERNATIONAL (M) SDN BHD
KGK MARKING TECHNOLOGIES (M) SDN BHD
Tel: +603 5632 2242 Fax: +603 5631 5536
Email: sales@lm-kgk.com

PT KGK INDONESIA
Tel: +62 (021) 5438 2395 Fax: +62 (021) 5437 7685
Email: sales-indonesia@lm-kgk.com

KGK MARKING TECHNOLOGIES (THAILAND) CO., LTD.
BIZ NAKHON CO., LTD.
Tel: +66 (0) 2946 1174 Fax: +66 (0) 2946 1175
Email: sales-thailand@lm-kgk.com

Your KGK Authorised Dealer

KGK JET CCS3000S

robust ink jet printer designed for high quality coding in harsh production environments

Detachable 10.4 inch LCD touch panel, designed to IP65, compliant with CE and RoHS for global standards & specifications



PCB (1.5mm thickness)
CN505 black



PP/PE bag
CN300 black



Egg shell
CN105A green



PVC wire
CP105 white



PET bottle
CN101 black



Unique design and user friendly

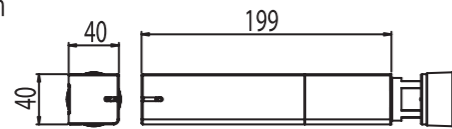


- Detachable 10.4 inch color LCD touch panel

Note: Panel cable length - 3.5m



- Compact print head
The compact print head design enable flexible & accessible to various area/location



Compact print head is capable to print out at various form of object even in tight area

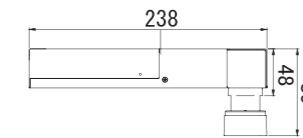
The interval system inside the machine will automatically retrieve the ink thus preventing nozzle clogging by dried up ink whenever the machine operation stop for long hour



- User interface

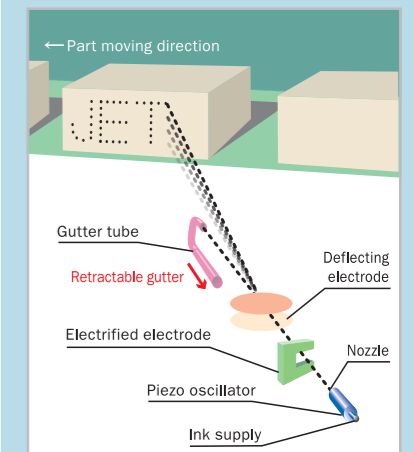
Message screen	Printing parameter screen	Print head maintenance screen	Equipment maintenance screen
Large icons give better visibility and easy to access	Clear illustration - easy to use	Print head internal structure and maintenance step is displayed on the screen	Individual component and maintenance step is displayed on the screen

- QR code, data matrix capability
Applicable to 1 or 2 dimensional bar-code printing
- Interval print length control (compatible with encoder and internal clocking)
Cable is printed with a fixed pitch length of marking (mm)
- 4,096 characters can be registered in 1 message
Store up to 999 messages
- Compatible to external USB memory
Applicable to USB 1.0 standard & above.
- Compliance
CE marking & RoHS compliant
- Protection
Designed to IP65 rating for dust and water proof
- 10 digit numbering
Additional zero suppress and binary setting capability
- User interface
English, Chinese, Korean, Italian, France, German, Spanish, Iran/Arabia and Turkey
- L-type print head
Compact and easy to integrate
- Reduced fluid consumption
Make up - up to 35%* saving (compared to ocs model)
- Auto voltage
AC100V~AC240V
- Enhanced communication speed by ethernet
- Environment temperature range for installation: 0~42°C
- Nozzle sealed system
(Refer to bottom right figure)
- Internal head heater for cold environments
- High definition micro coding, as small as 0.8mm in height
- Intelligent connector for quick ink pump maintenance



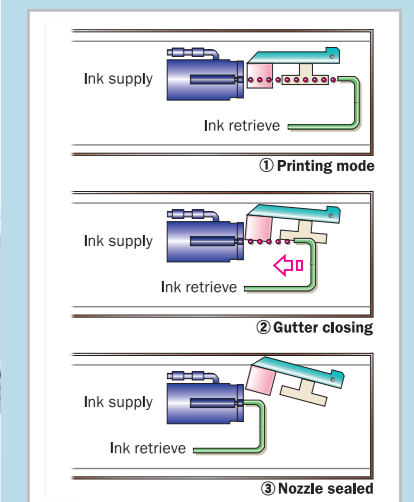
Concept of IJP continuous system

During printing idling mode, ink liquid will be circulated or retrieved in the gutter tube. The electrified ink that is controlled by the deflecting electrode will be printed on the printing substrates depends on input printing signal



Nozzle sealing system

Evacuate the maintenance during start or stop
Improve solvent consumption substantially



*environment temperature 20°C